


# PRODUCT SHEET

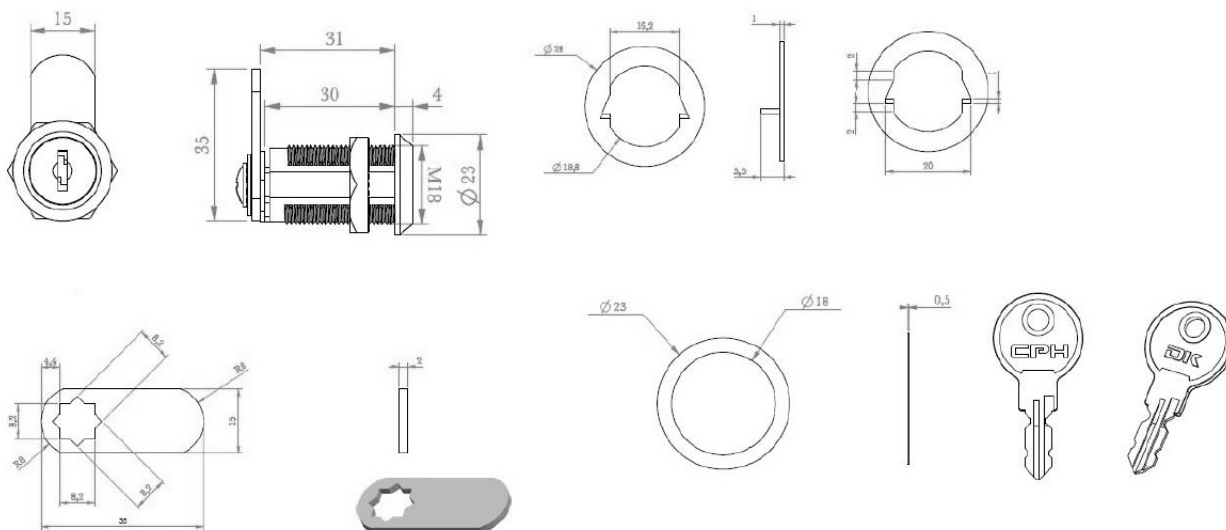
**Description:**

# Cam Lock 1830, 90DG, Cam No. 9, CPL, MK CPH,80 KD,W/2 Tran parent Washers, W/Steel Spike Washer

**Item number:**

14.04.502-0

Units	Box	Carton	HS Code	Barcode
Pcs.	12	120	8301300000	
				5704866453653



**SISO A/S**

Mileparken 11  
DK-2740 Skovlunde  
Denmark  
VAT: DK 24786013

Phone +45 45 830 900

www.siso.dk  
siso@siso.dk

Danske Bank  
Nytorv Branch  
Copenhagen  
SWIFT: DABADKKK

Account no.  
4180 3112 112936  
IBAN Account  
DK7230003112112936